

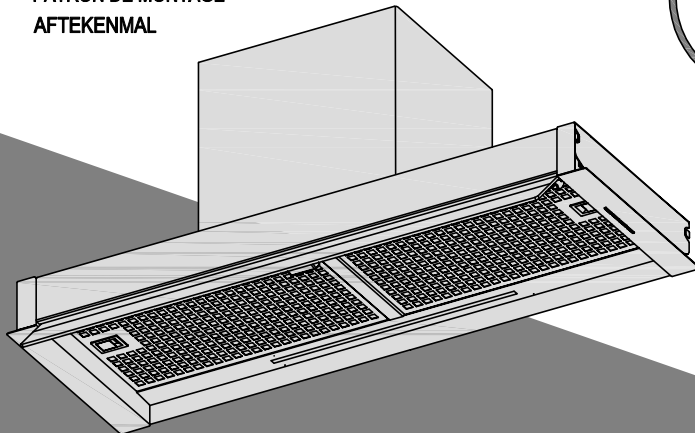
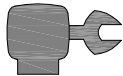
60821605- 13-01-23

PLANTILLA DE MONTAJE

ASSEMBLY INSOLE

PATRON DE MONTAGE

AFTEKENMAL



a1 X 1



a2 X 1



a3 X 1



a4 X 4




a5 X 2

 $\varnothing 3.9 \times 13$

a6 X 2

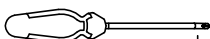
 $\varnothing 4 \times 8$

a7 X 4

 $\varnothing 3 \times 8$

a8 X 6

 $\varnothing 4.2 \times 13$

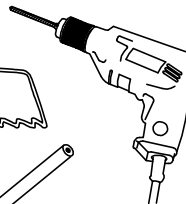
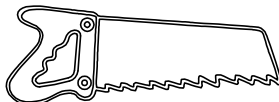


PH 2

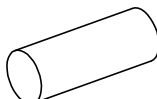
T10

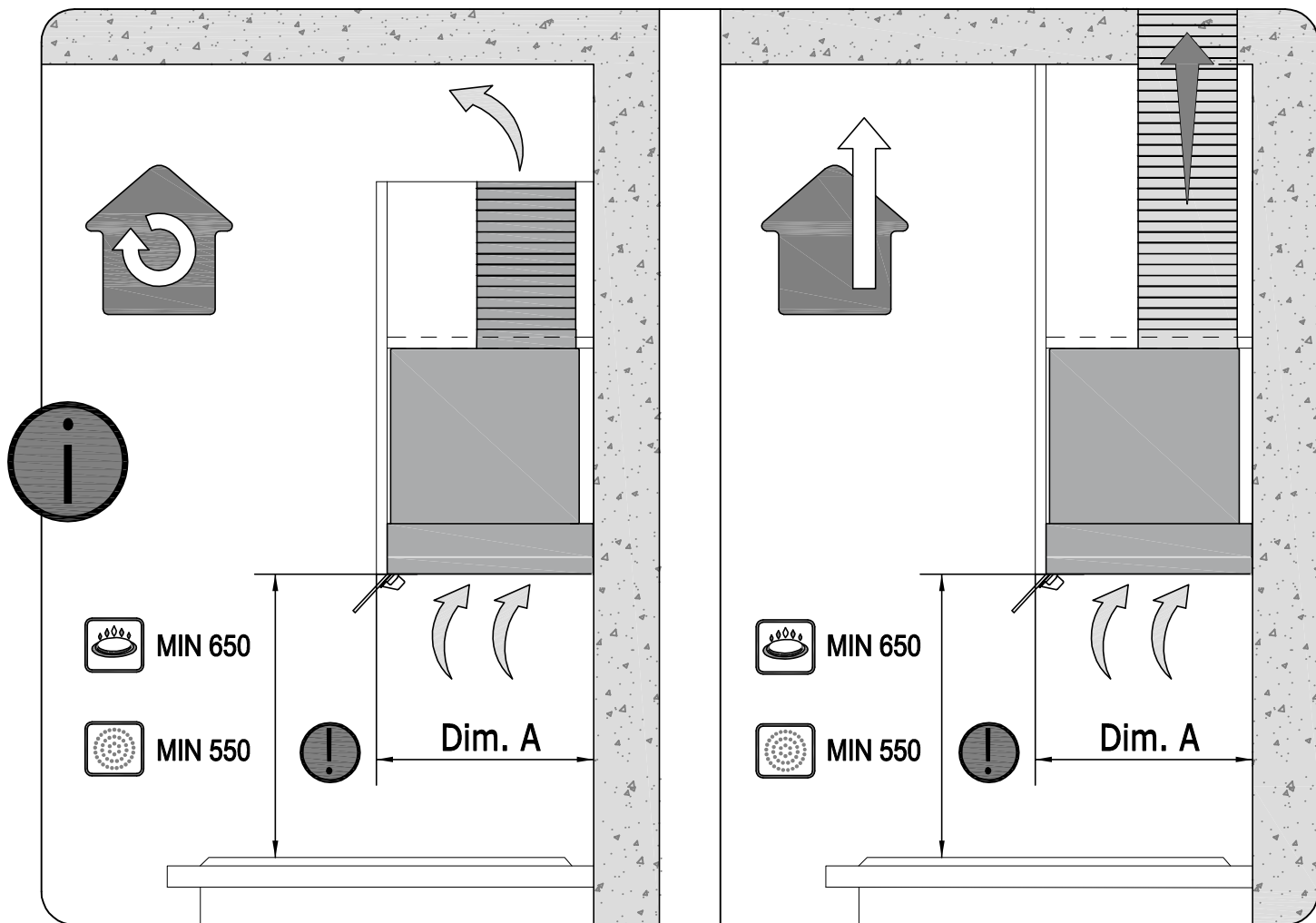
T15

T20

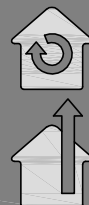
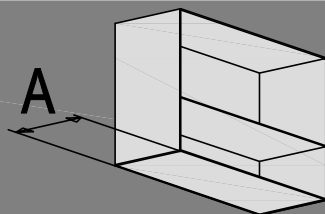


$\varnothing 150$

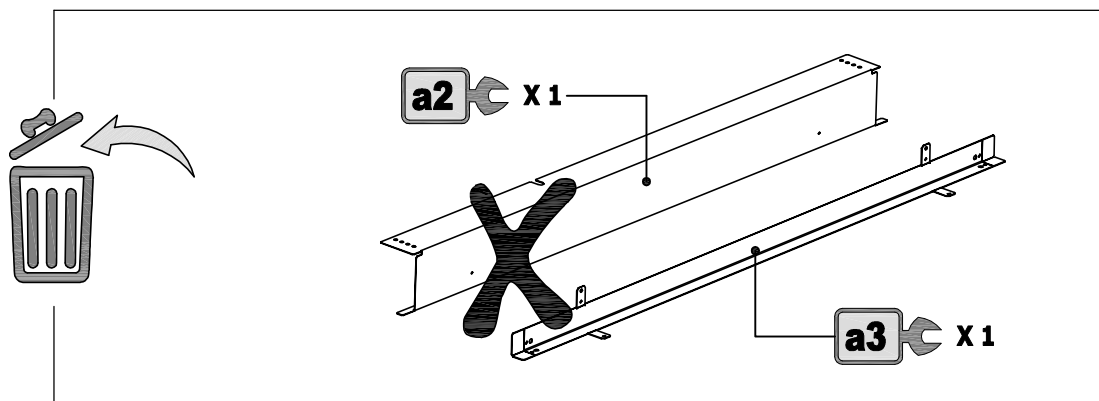




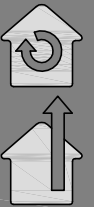
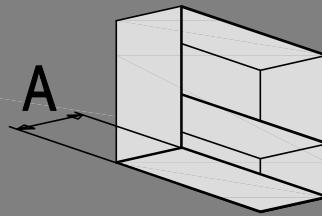
Dim. A : 310 mm



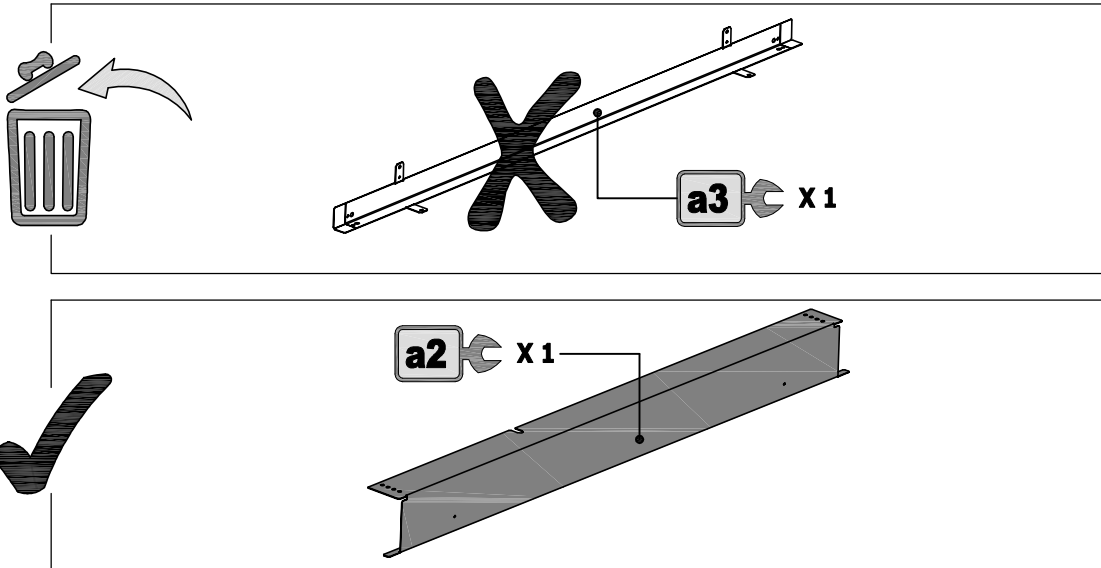
1



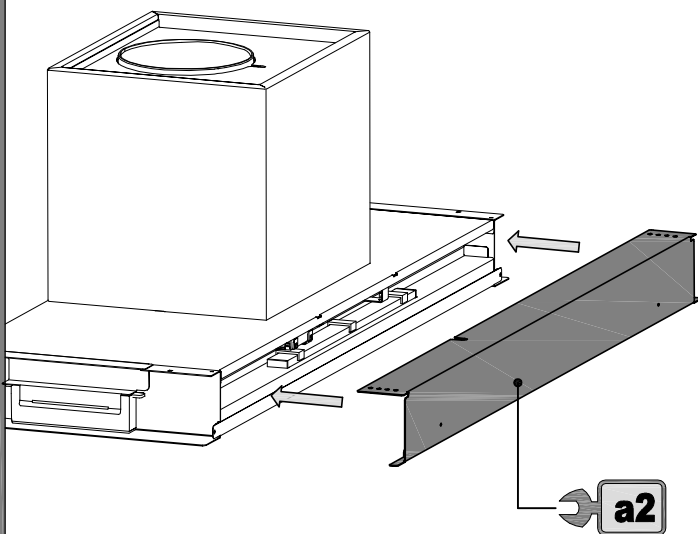
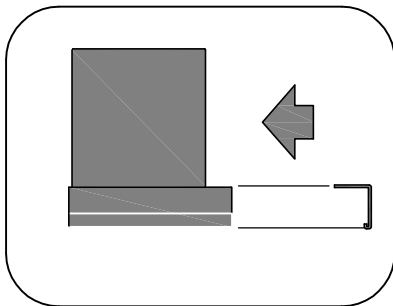
Dim. A : 320 mm



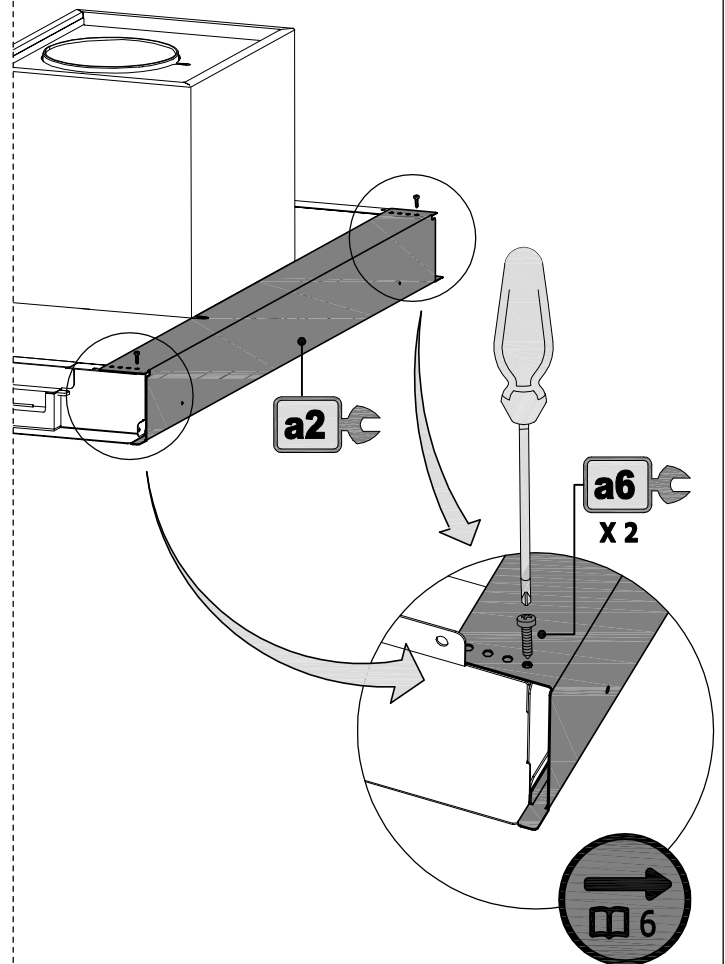
1



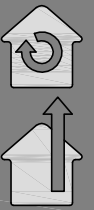
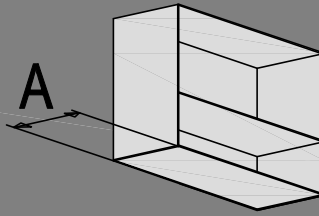
1.1



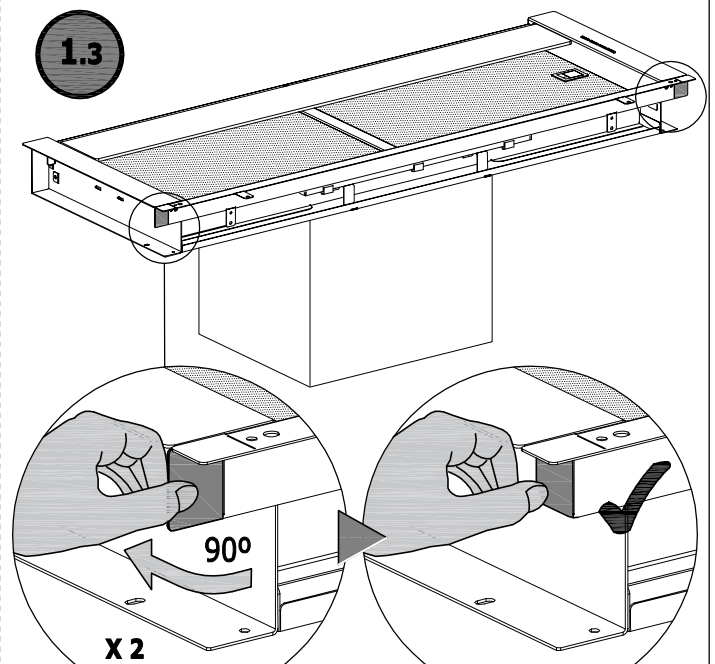
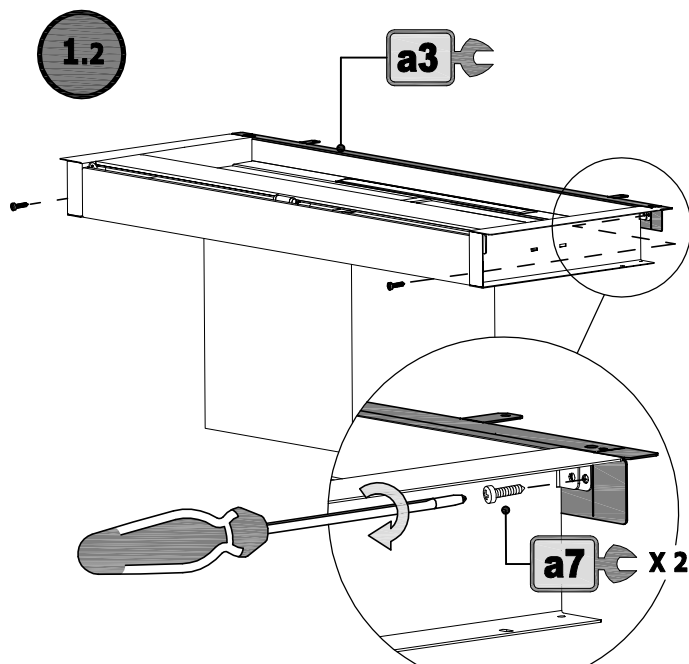
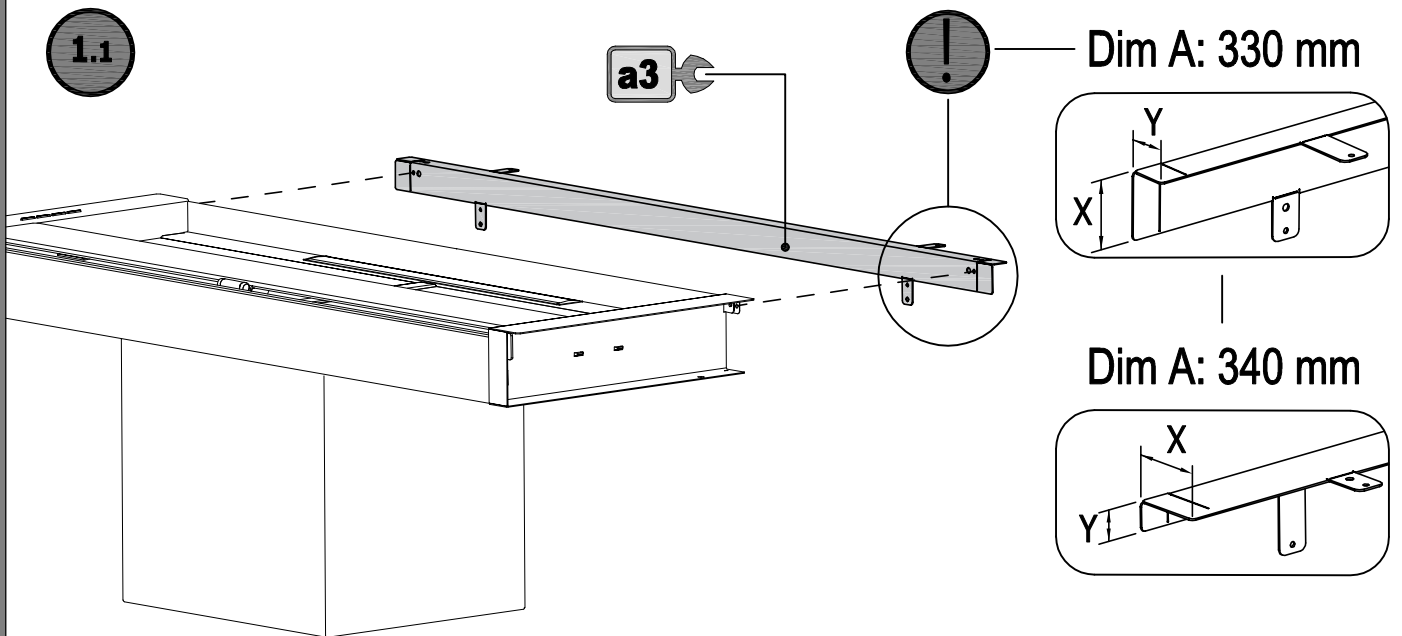
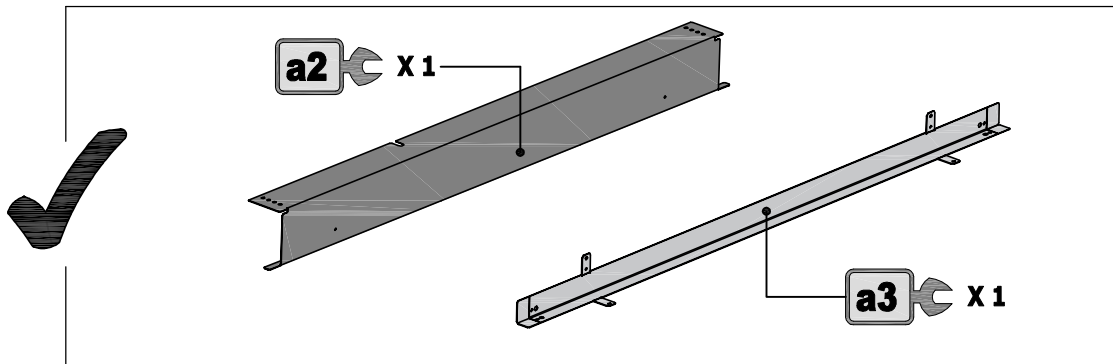
1.2



Dim. A : 330-340 mm

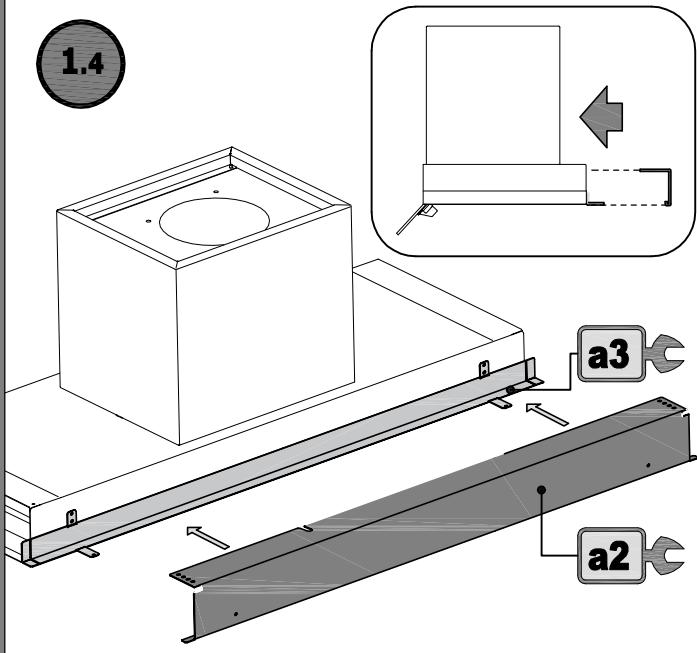


1

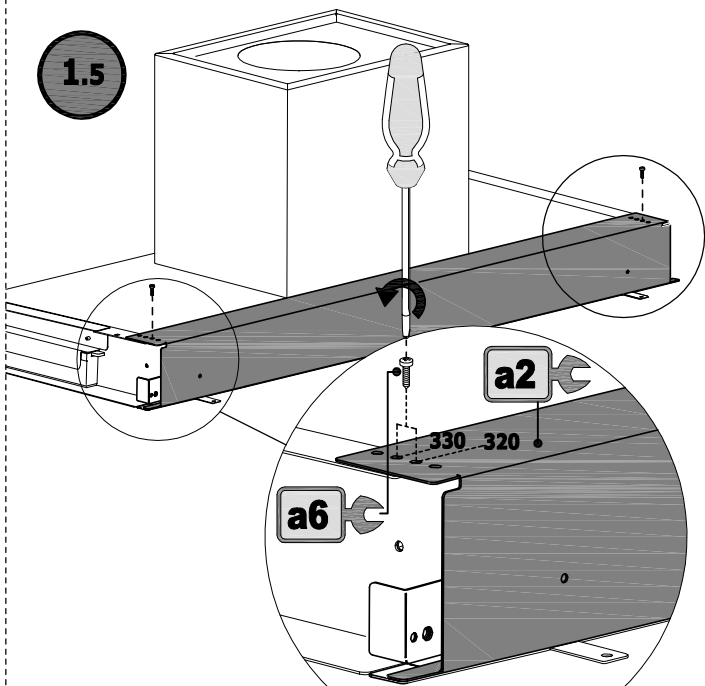


1

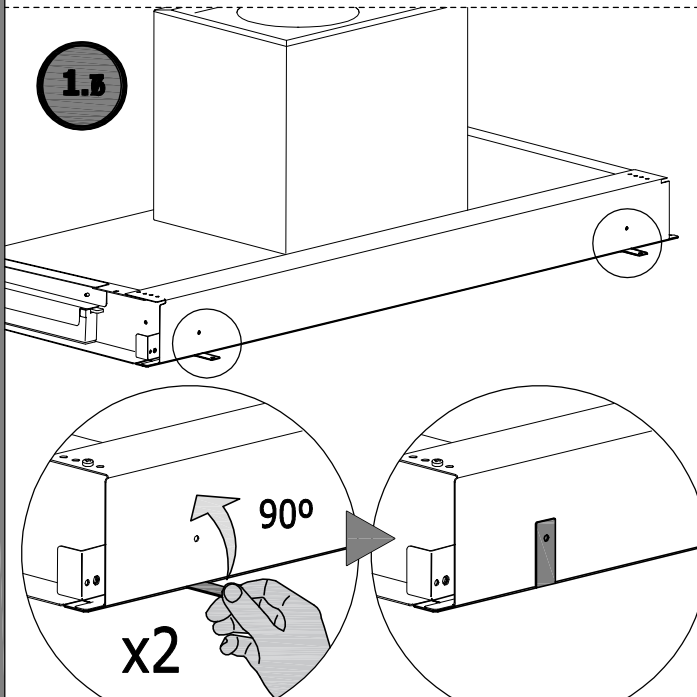
1.4



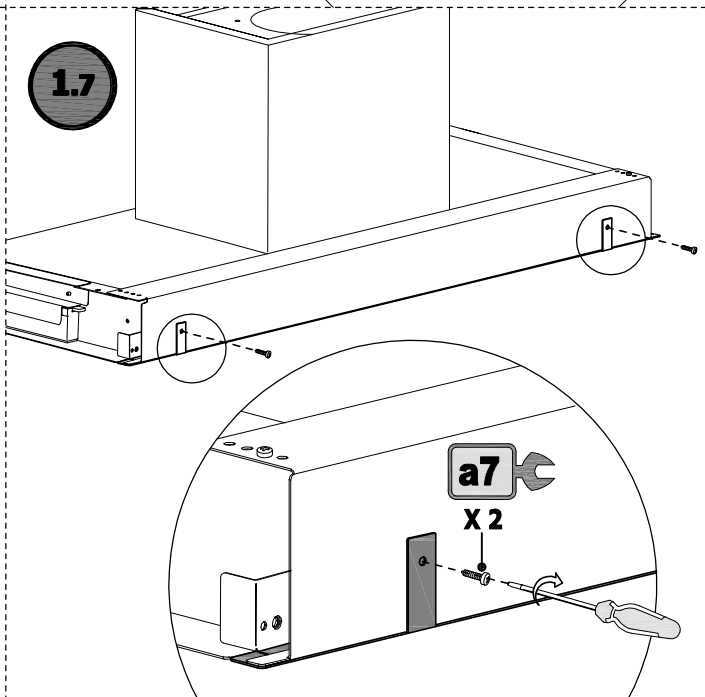
1.5



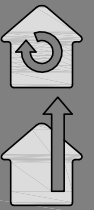
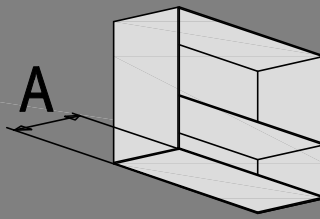
1.6



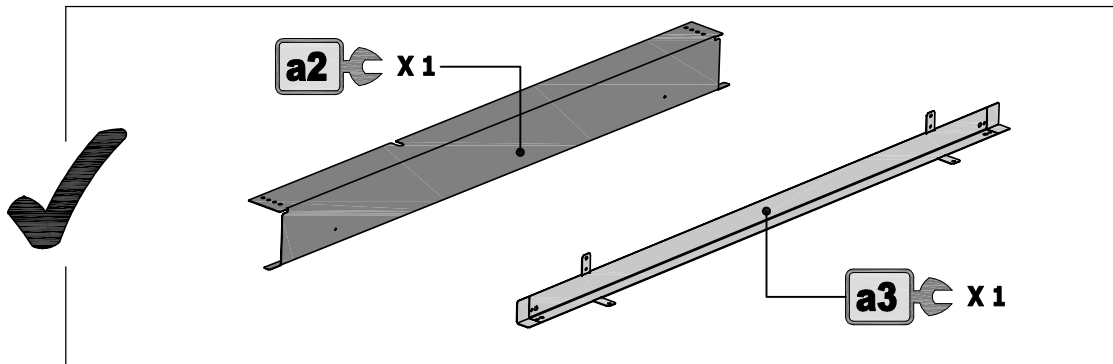
1.7



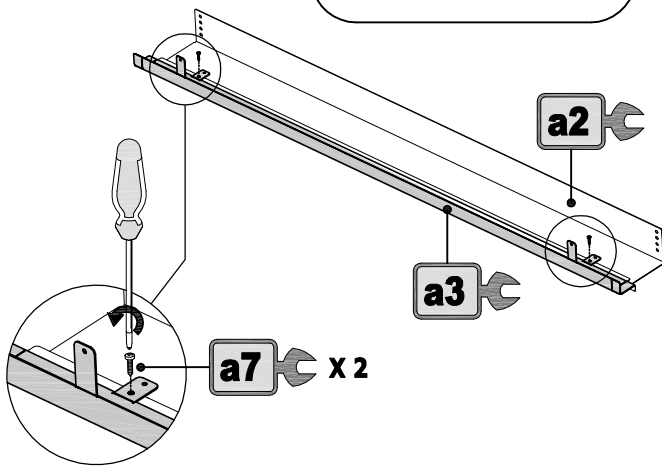
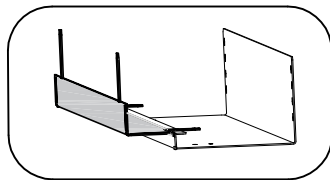
Dim. A : 350mm



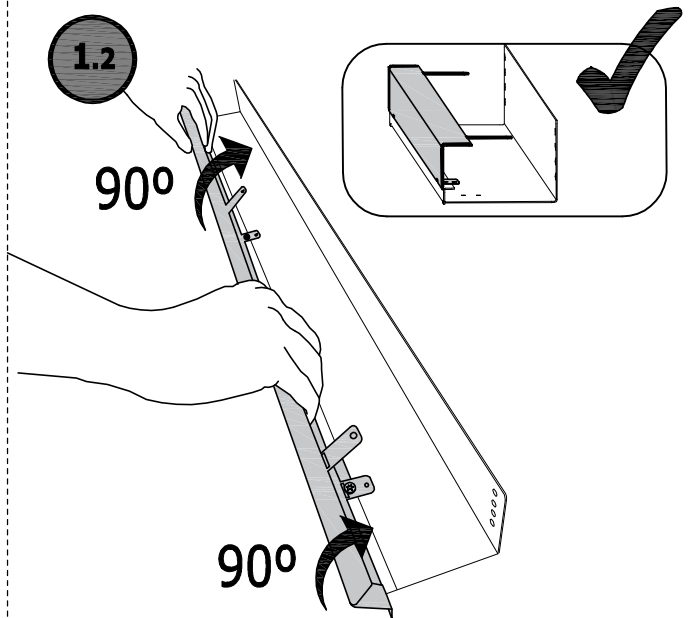
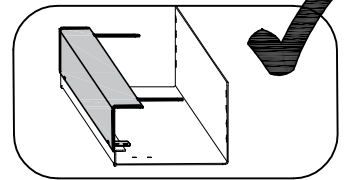
1



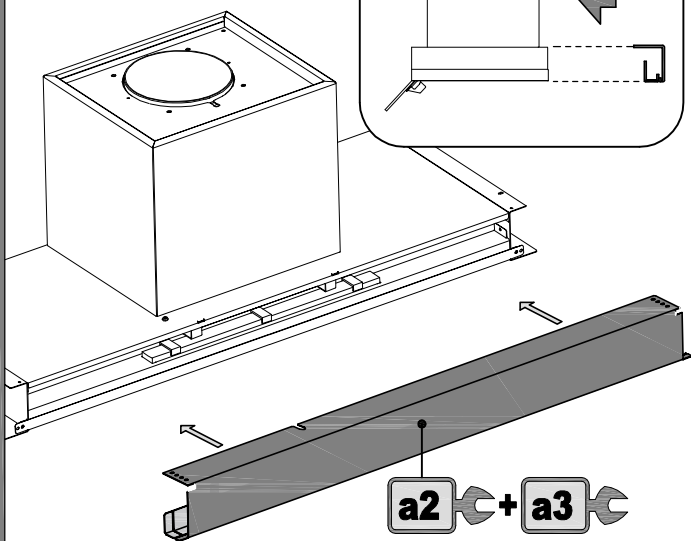
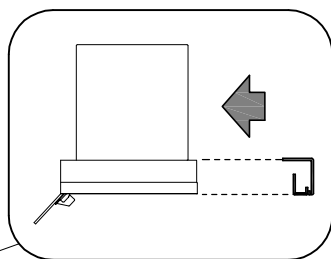
1.1



1.2

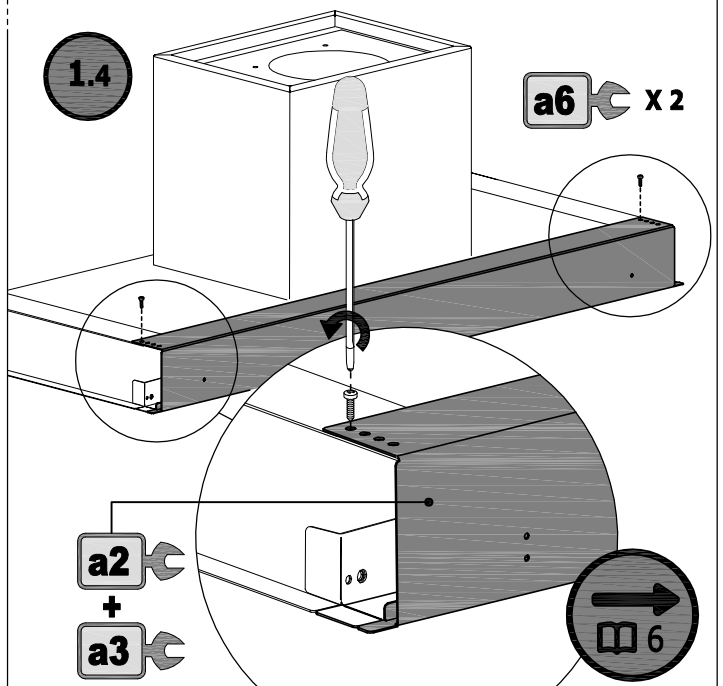


1.3

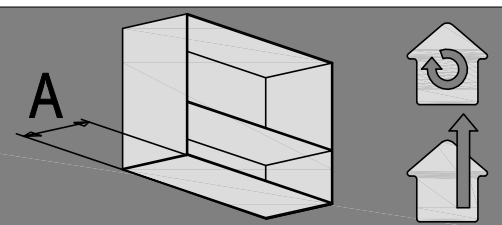


1.4

a6 x 2



Dim. A : 310-320-330-340-350mm



2

A	B
310	105
320	115
330	125
340	135
350	145

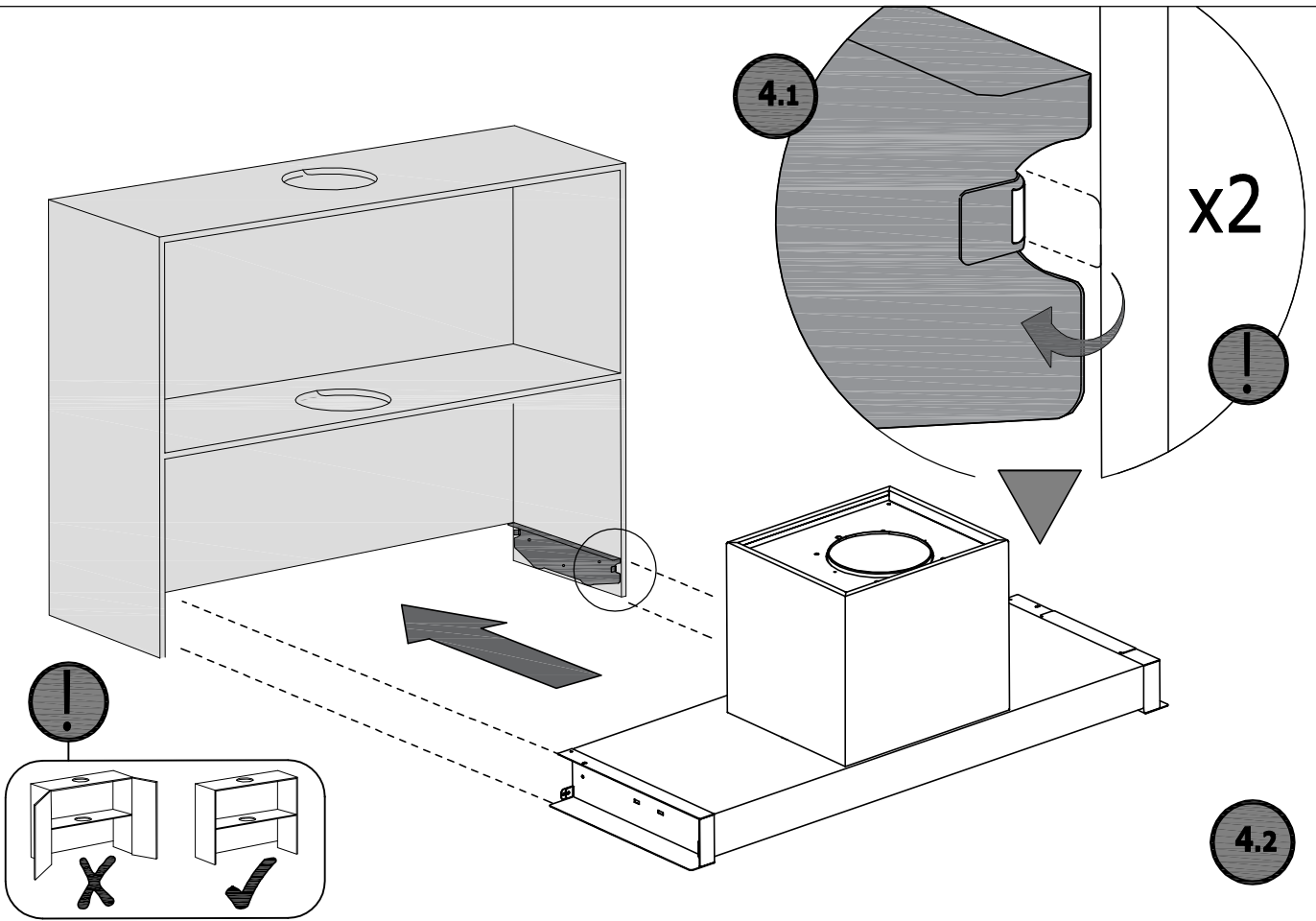
2.2

min.334mm

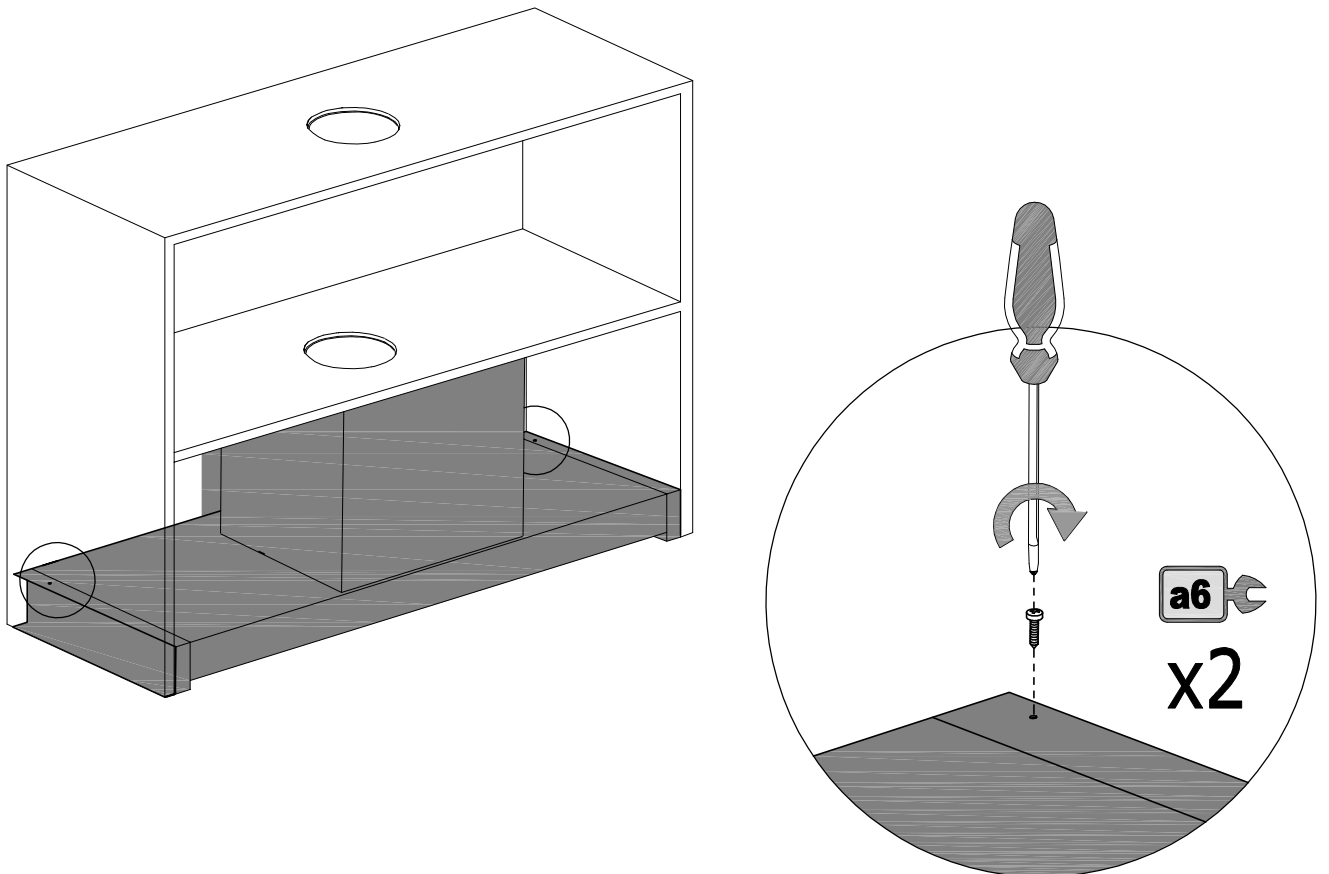
3

a8 **x6**

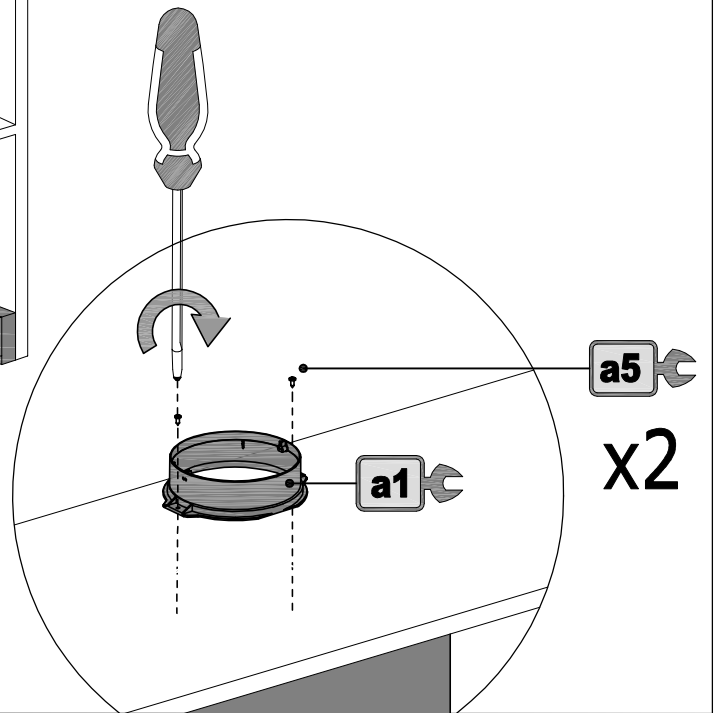
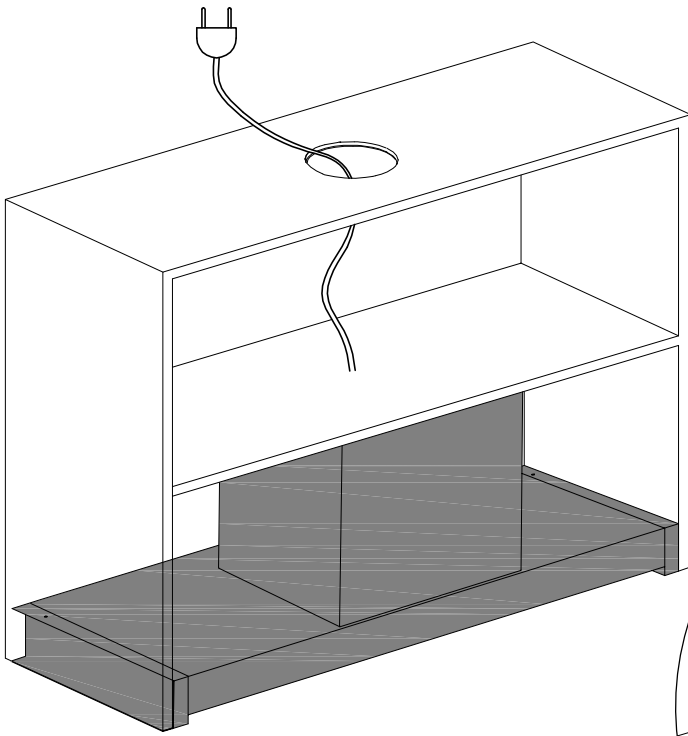
4



5



6



7

