

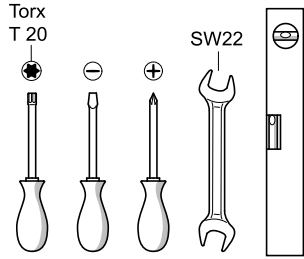
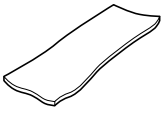
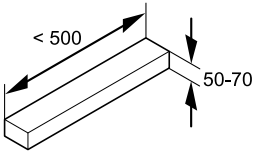
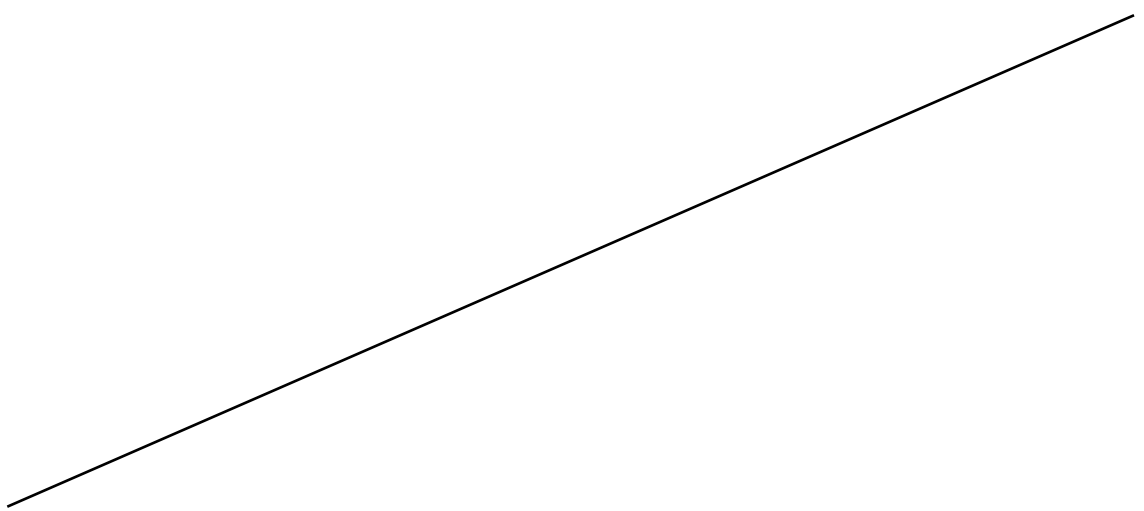
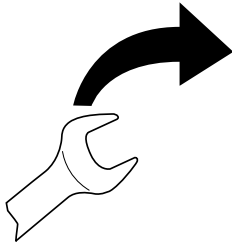
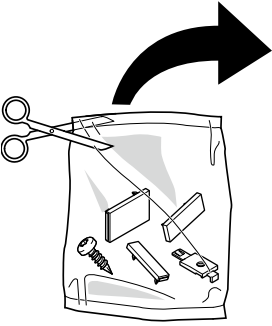
9001621982 (030516)

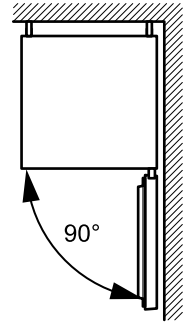
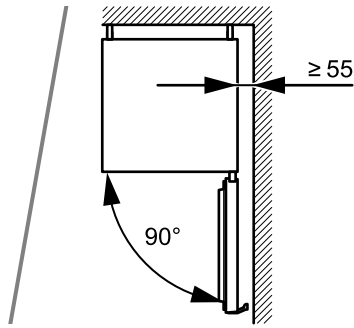
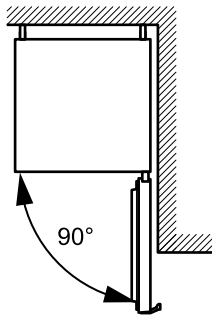
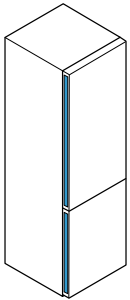
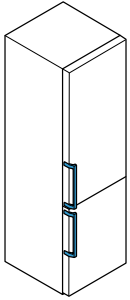
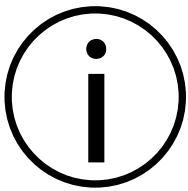


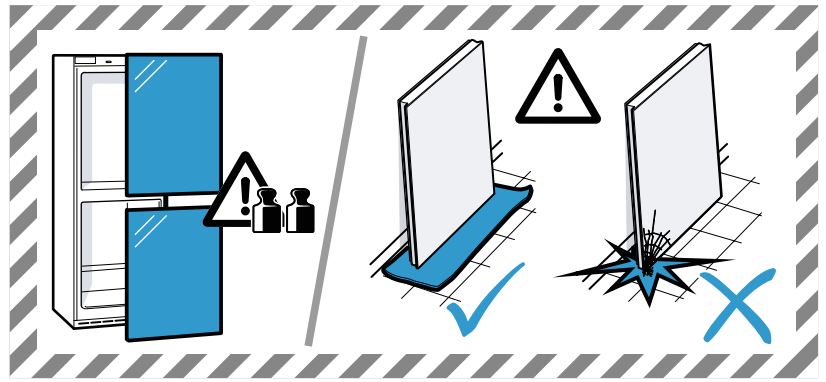
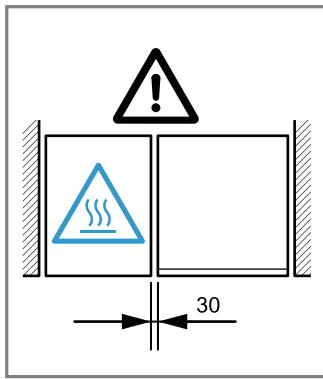
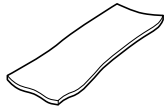
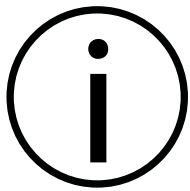
mm

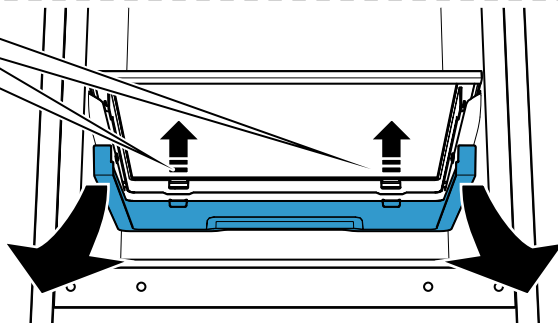
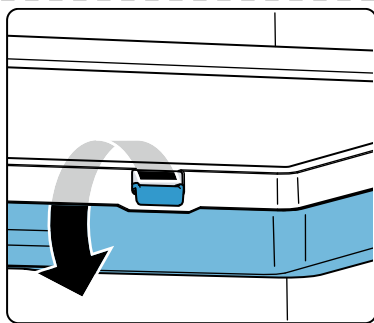
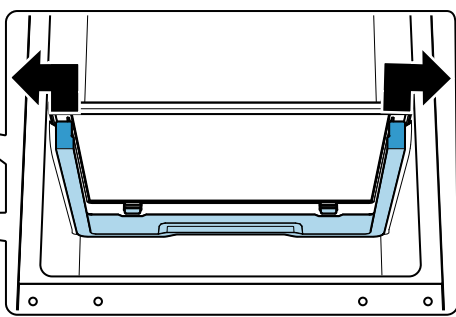
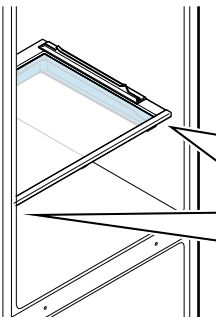
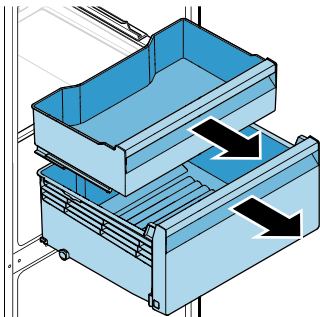
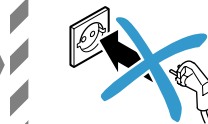
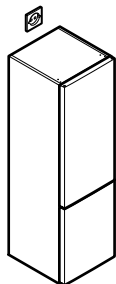
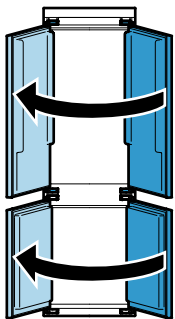
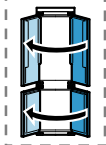
- de** Montageanleitung
- en** Installation instructions
- fr** Notice d'installation
- it** Istruzioni d'installazione
- nl** Installatie-instructies
- es** Instrucciones de montaje
- pt** Instruções de instalação
- el** Οδηγίες εγκατάστασης
- da** Installationsvejledning
- no** Installasjonsveiledning
- sv** Installationsanvisningar

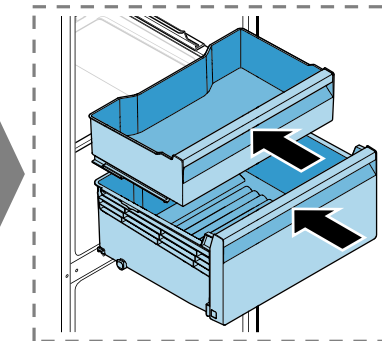
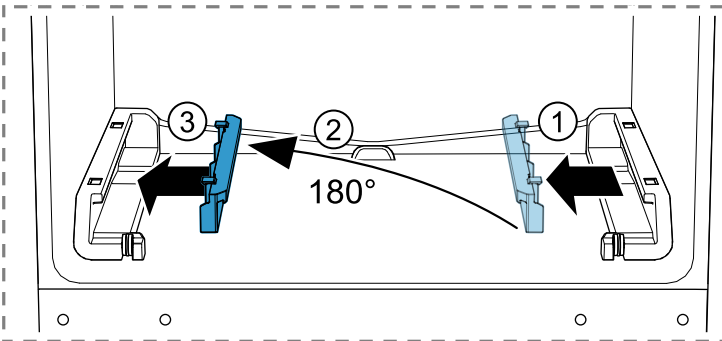
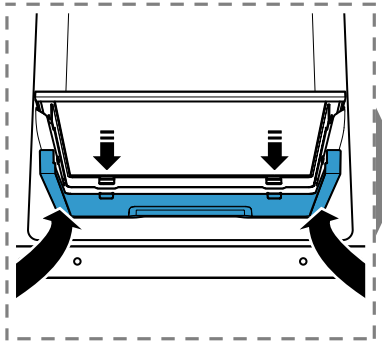
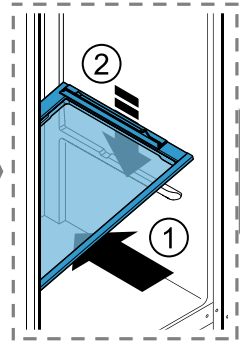
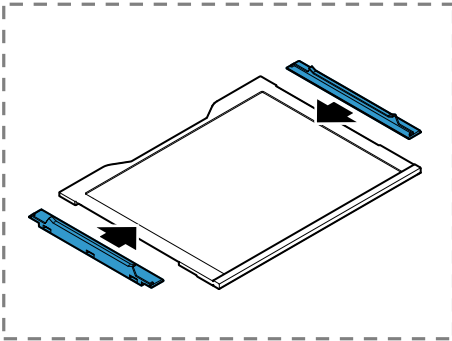
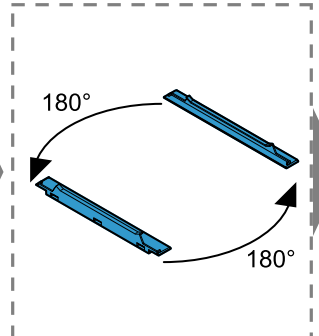
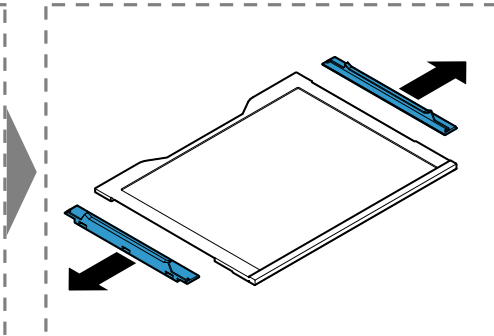
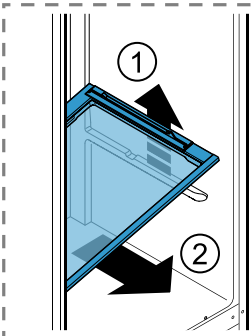
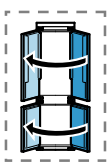
- fi** Asennusohjeet
- et** Paigaldusjuhised
- lt** Įrengimo instrukcijos
- lv** Uzstādīšanas instrukcijas
- pl** Instrukcje montażu
- hu** Telepítési útmutató
- cs** Pokyny k instalaci
- sl** Navodila za montažo
- uk** Інструкція з монтажу
- kk** Орнату нұсқаулықтар
- ru** Инструкция по установке

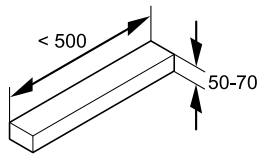
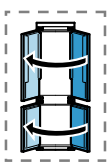




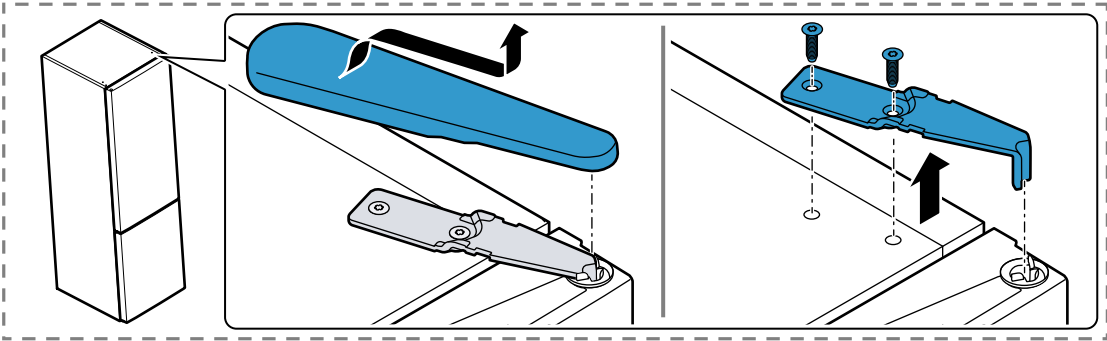
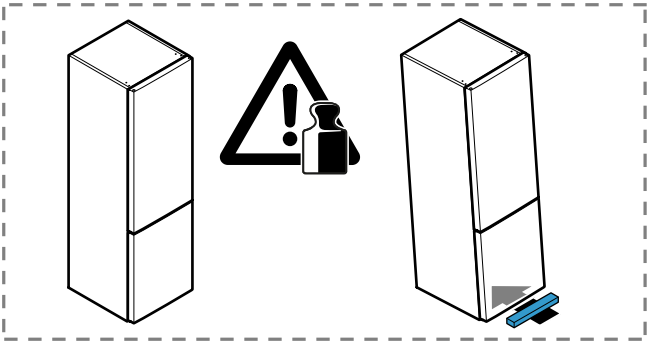


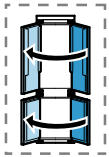




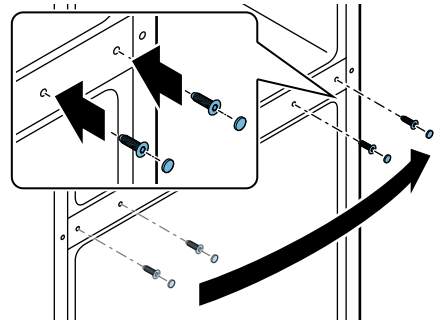
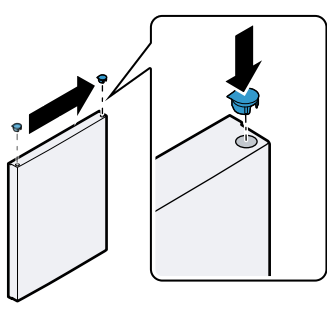
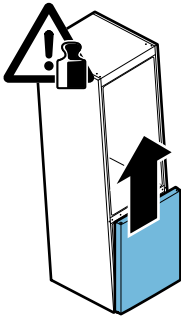
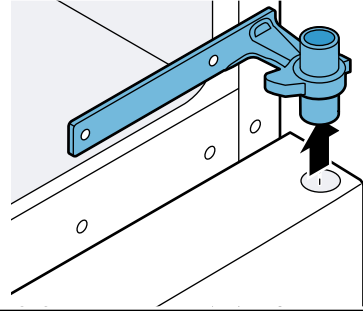
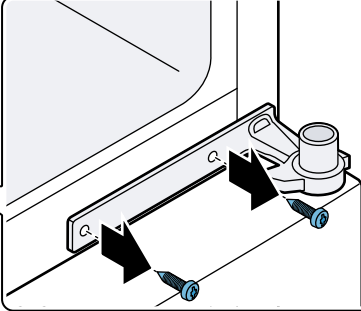
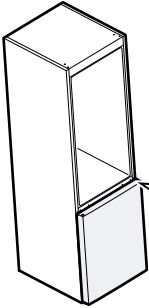
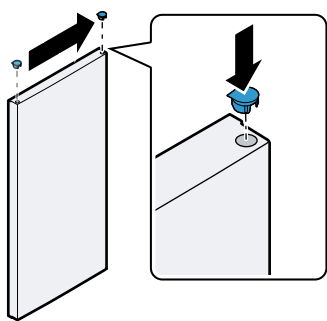
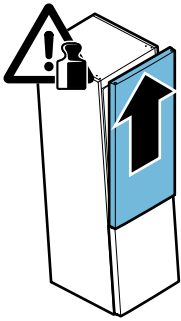
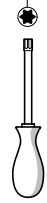


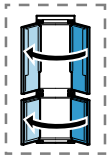
Torx
T 20



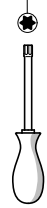


Torx
T 20

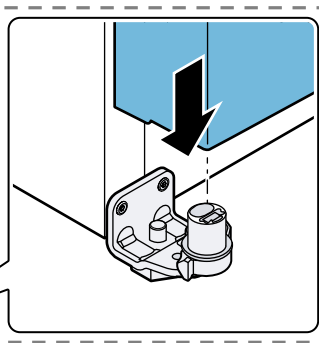
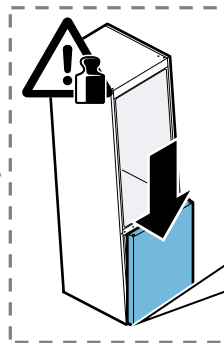
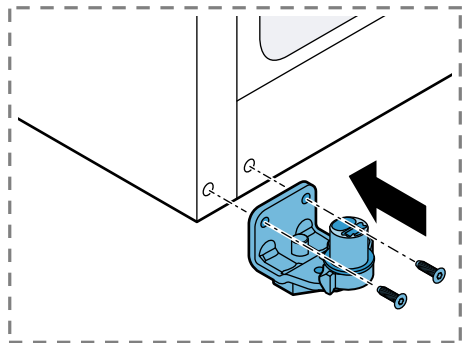
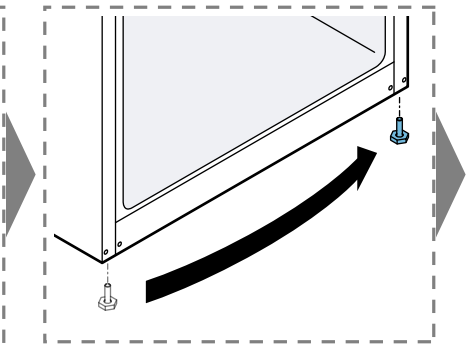
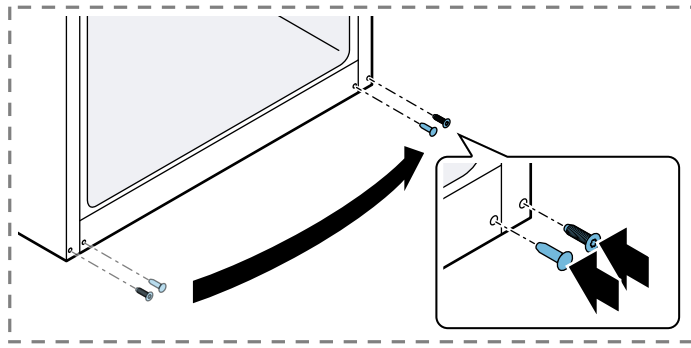
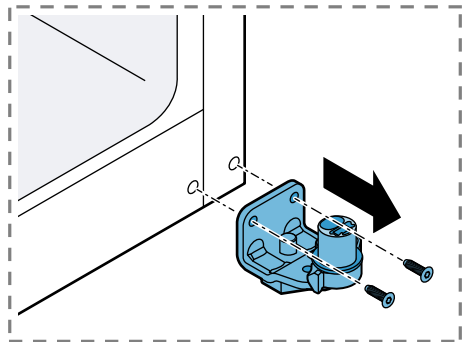
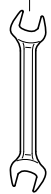


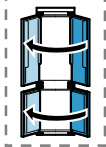


Torx
T 20

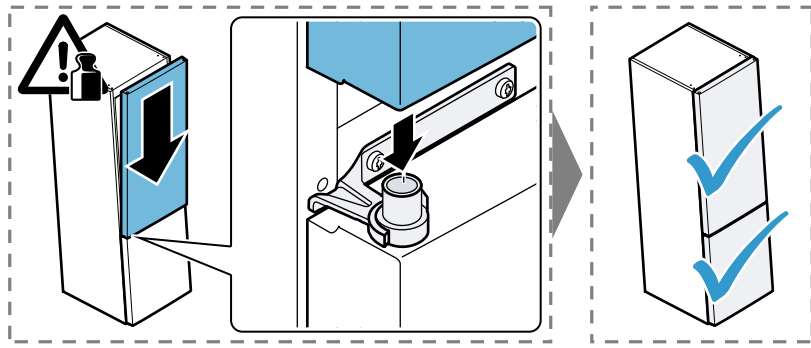
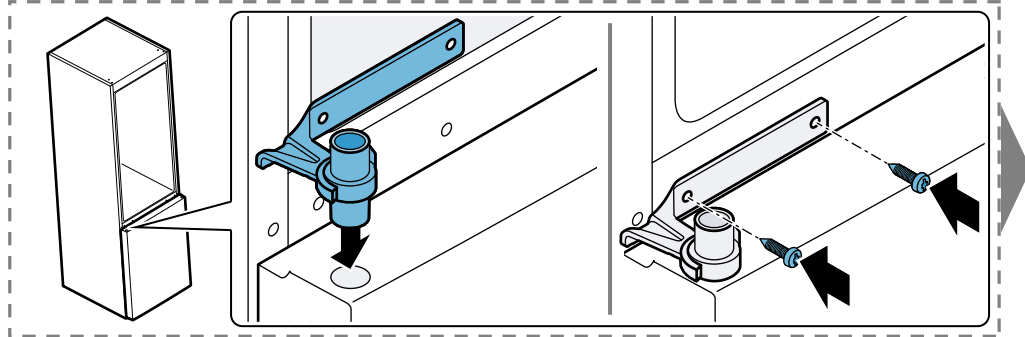
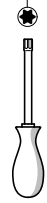


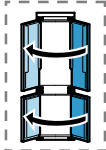
SW22



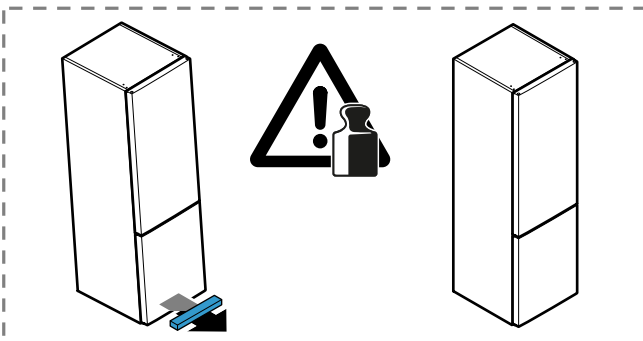
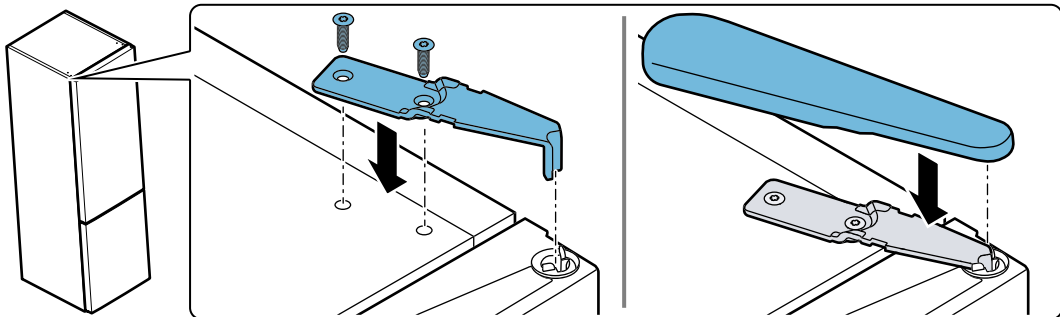
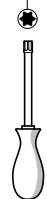


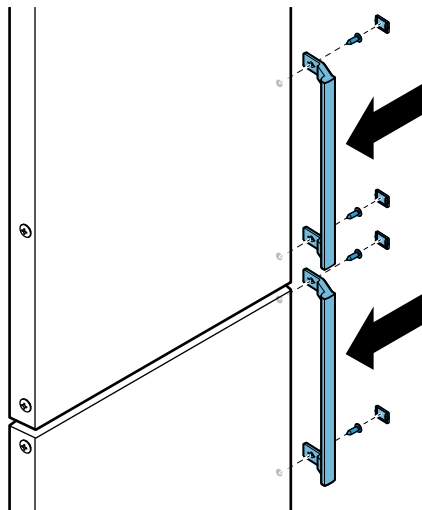
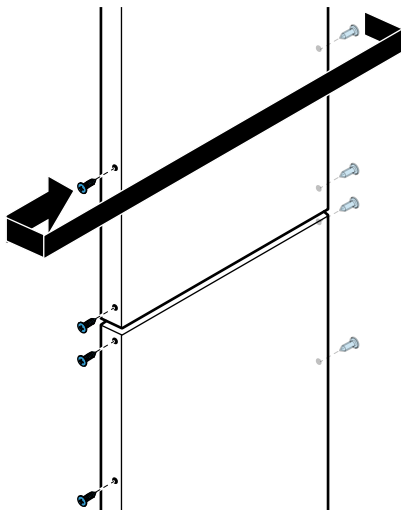
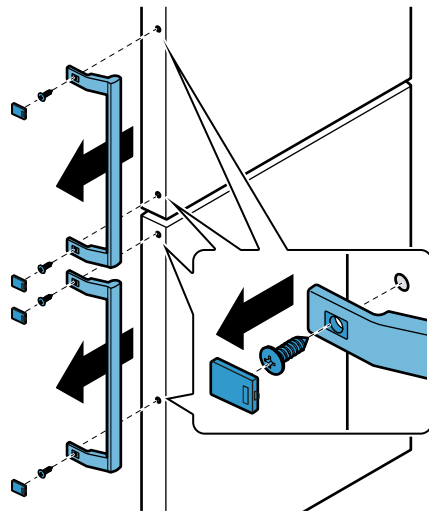
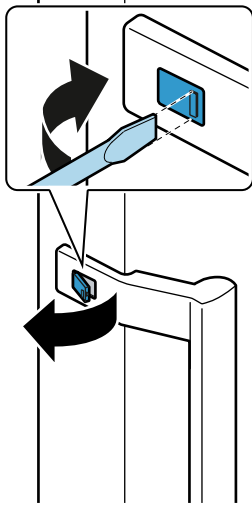
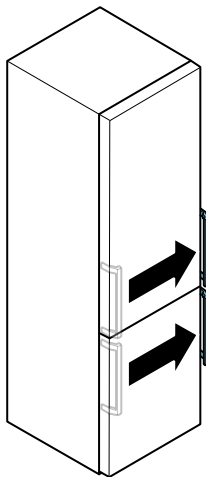
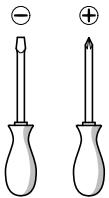
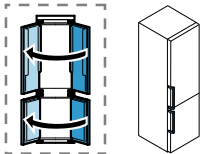
Torx
T 20

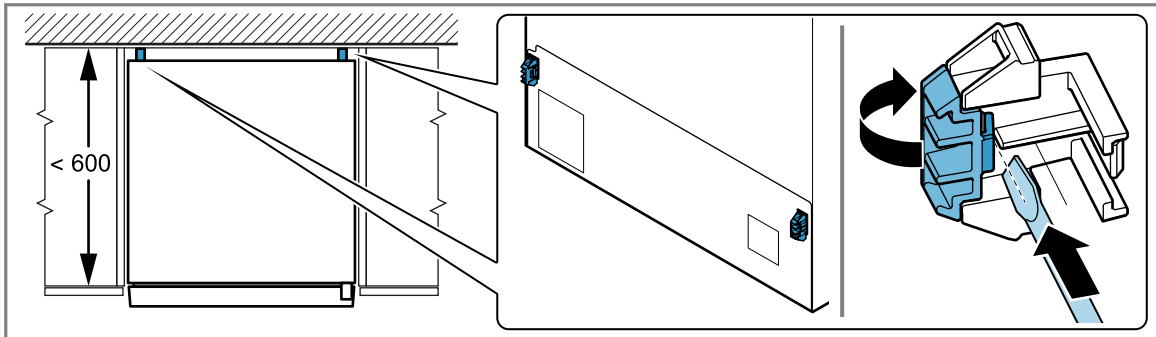
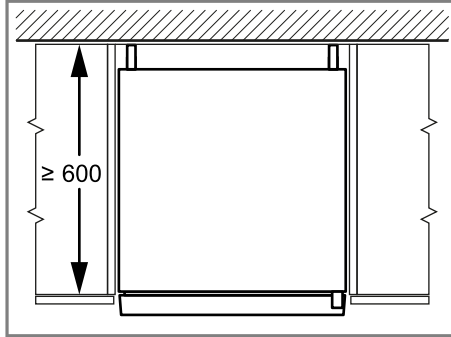
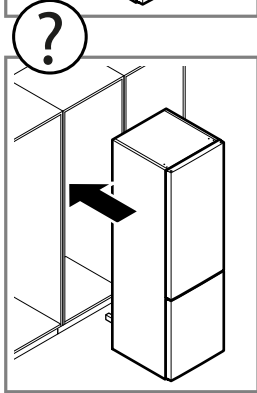
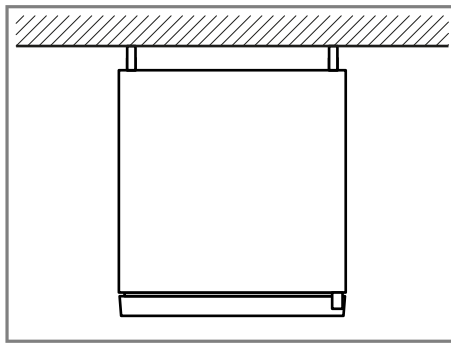
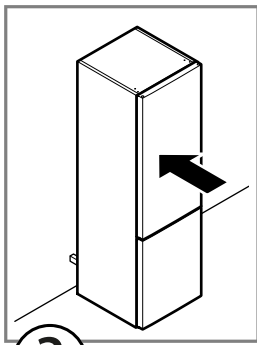


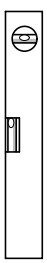


Torx
T 20

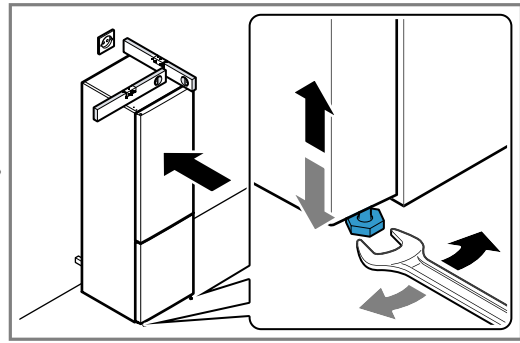
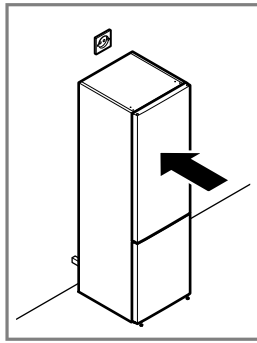
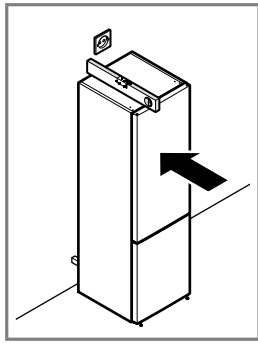
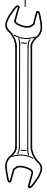








SW22





A series of horizontal lines for writing, starting from a vertical margin line on the left and extending across the page.



A series of horizontal lines for writing, starting from the top margin and extending to the bottom margin, with a vertical margin line on the left side.