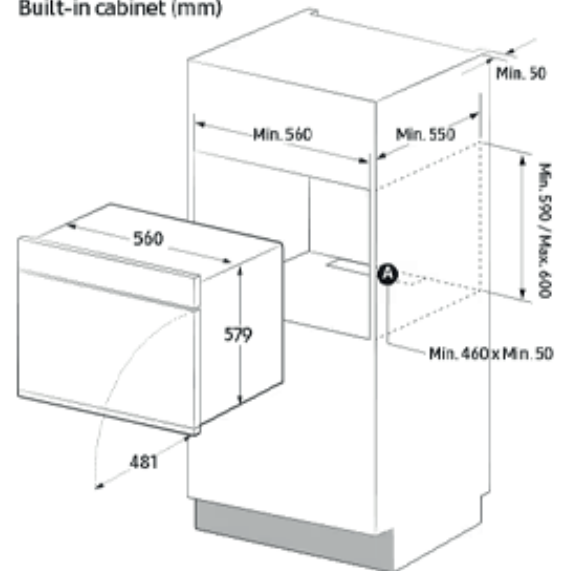


### Detail size

Built-in cabinet (mm)



The built-in cabinet must have vents (A) to ventilate heat and circulate the air.