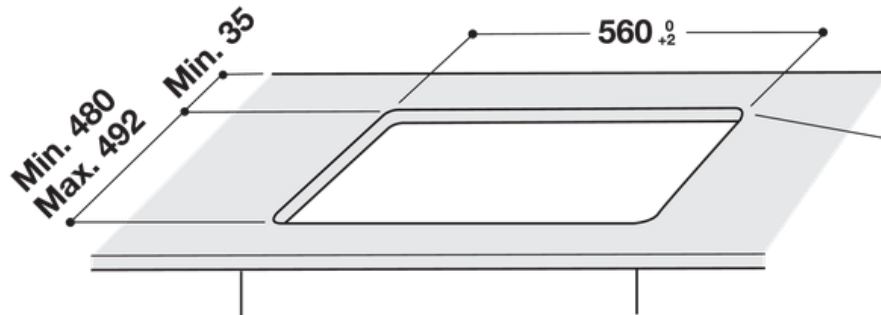
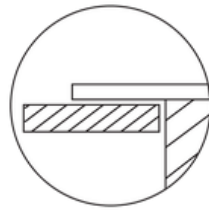
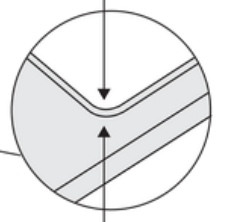


R = Max. 10 mm



R = Max. 10 mm

